

TELESCOPIC 160 extraction arm

The TELESCOPIC 160 arm is compact and suitable for low-ceilinged welding booths and for small work surfaces.

- Maximum range 2.2 metres.
- Antistatic hose, Ø 160 mm.
- Arm rotation pivot with ball bearing.
- Ø 300 mm removable metal nozzle with guard grille.
- Adjustment damper and handle.
- Supplied with wall bracket.
- Supplemented by a 1.8 or 2.1 fan or installed in a centralised system.

Air flow rate at the nozzle:
1,000 - 1,200 m³/h.

Ordering

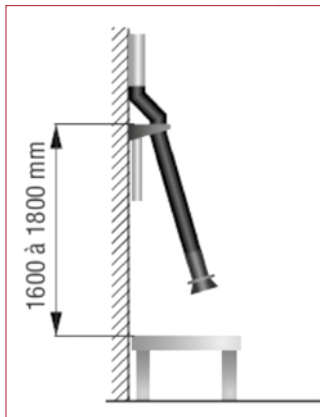
Description	Part number
TELESCOPIC arm, 0,9 m to 2,2 m	P000025067

Complements
Complementary accessories: see pages 24 - 26

Head loss from the arm:

- 380 Pa with 900 m³/h
- 450 Pa with 1,000 m³/h
- 500 Pa with 1,100 m³/h
- 600 Pa with 1,200 m³/h

Arm mounted by means of the standard wall mount



Range of Telescopic arms

